

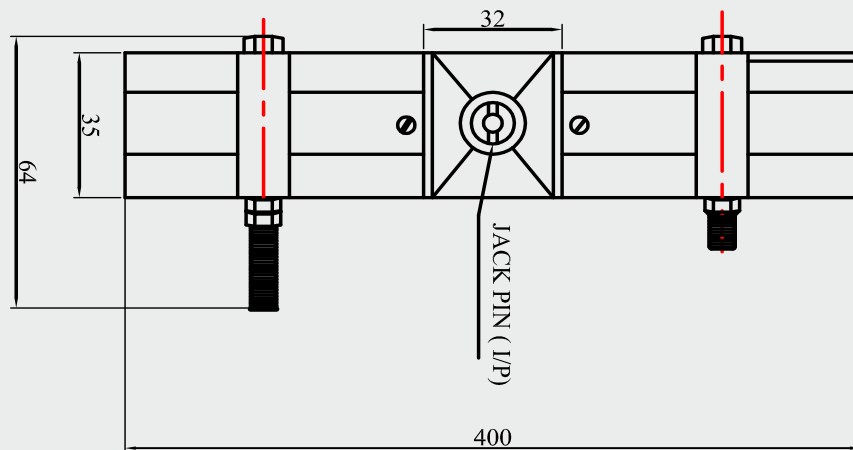
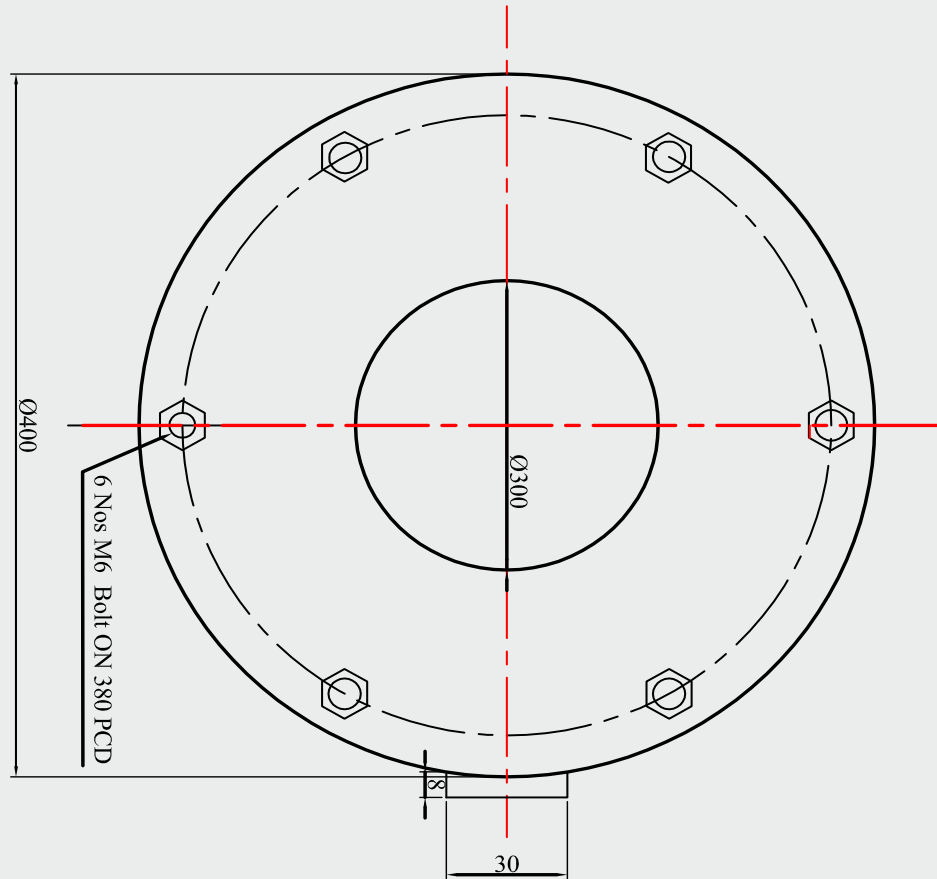


54, Annapurna Industrial Estate, Tilak Road,
Ghatkopar (E), Mumbai - 400 077 India
Tel: +91-22-21029911
E-mail: sales@excellaelectronics.com



ELECTRODE (ANTISTATIC BAR)

RING ELECTRODES (With Jack Pin o/p):



DIMENSION ARE IN MM.
DO NOT SCALE THE DRAWING
SHARP EDGES REMOVED
IN CASE OF DOUBT PLEASE ASK
DEVIATION ON NON
TOLERANGED LINEAR
MACHINED DIMENSIONS
I.S.2102-1980 MEDIUM CLASS

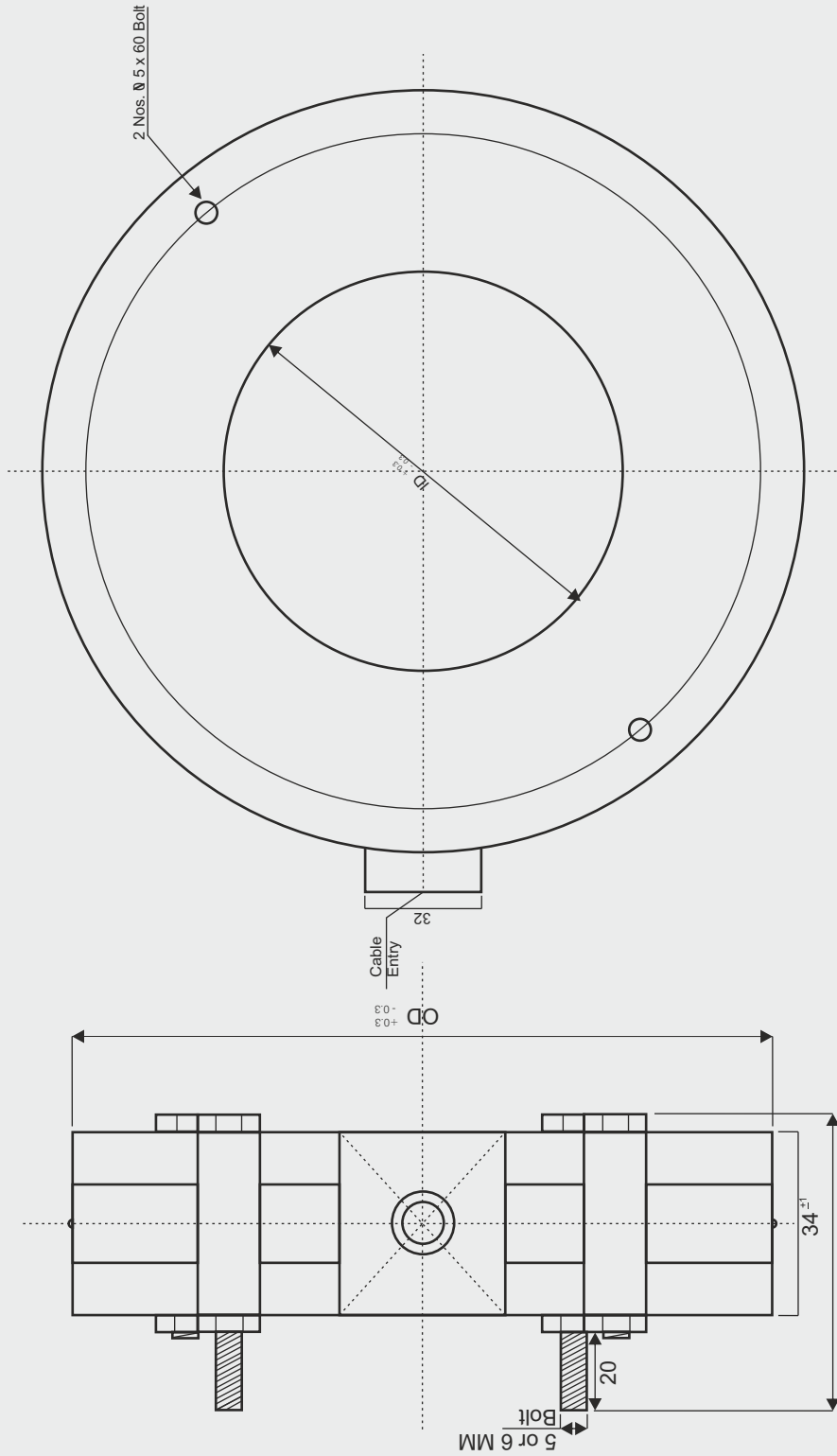
WEIGHT		DISCHARGE ELECTRODE Model:RING OD:400X ID:300MM	DATE	11.11.2009
SCALE	N.T.S		DRN by	RGM
EXCELLA ELECTRONICS MUMBAI-400 077 Tel:022-21029911 Fax:022-21029922			APPRD by	KDK
			DRG NO.	428



54, Annapurna Industrial Estate, Tilak Road,
Ghatkopar (E), Mumbai - 400 077 India
Tel: +91-22-21029911
E-mail: sales@excellaelectronics.com

ELECTRODE (ANTISTATIC BAR)

RING ELECTRODES (With Cable o/p):



WEIGHT	MODEL	DATE
SCALE	Ring Discharge Electrode	21/10/05
N.T.S	EXCELLA electronics 54, Annapurna Ind. Estate, Tilak Road, Ghatkopar (E), MUMBAI - 400 077, INDIA	DRN: S.G.K.
		APPRD:
		DRG. NO.
		423

Sr.	OD	ID	PCD	Sr.	OD	ID	PCD
1.	130	30	106	6.	230	130	206
2.	135	35	111	7.	250	150	226
3.	170	70	146	8.	270	170	246
4.	190	90	166	9.	290	190	266
5.	210	110	186	10.	310	210	286



54, Annapurna Industrial Estate, Tilak Road,
Ghatkopar (E), Mumbai - 400 077 India
Tel: +91-22-21029911
E-mail: sales@excellaelectronics.com



ELECTRODE (ANTISTATIC BAR)

DIFFERENT SIZES RING ELECTRODES (DIMENSIONS)

Sr. No.	ID	OD	PCD
1	70	170	146
2	90	190	166
3	110	210	186
4	130	230	206
5	150	250	226
6	170	270	246
7	190	290	266
8	210	310	286
9	230	330	306
10	250	350	326
11	270	370	346